

Product Highlights

Easy transport

★The unique rear mast slide and lightweight design make this model easy to load into a light truck. Outrigger storage, wide forklift handling slots, transport fixing holes and crane lifting lug holes increase the convenience of transportation.

Sturdy mast and platform

★The sturdy aviation aluminum profile mast provides users with comfort and safety at any height.

Doorway passing ability and flexible maneuverability

★This series of models (except AMP40) can easily pass through standard doorways without tilting.

Closer working distance

★The compact X-shaped foot point allows the machine to get closer to the wall, so that the operator is only an arm's length away from the work point.



Standard Features

Aluminum platform basket	Lower beeper warning
Polyurethane non-mark tyres	Tilt device (only for AMP40)
Leverage ro-ro device	Maintenance-free Battery
Lifting ears	Emergency Lower Down
Two controls: platform control and ground control	Outrigger storage frame

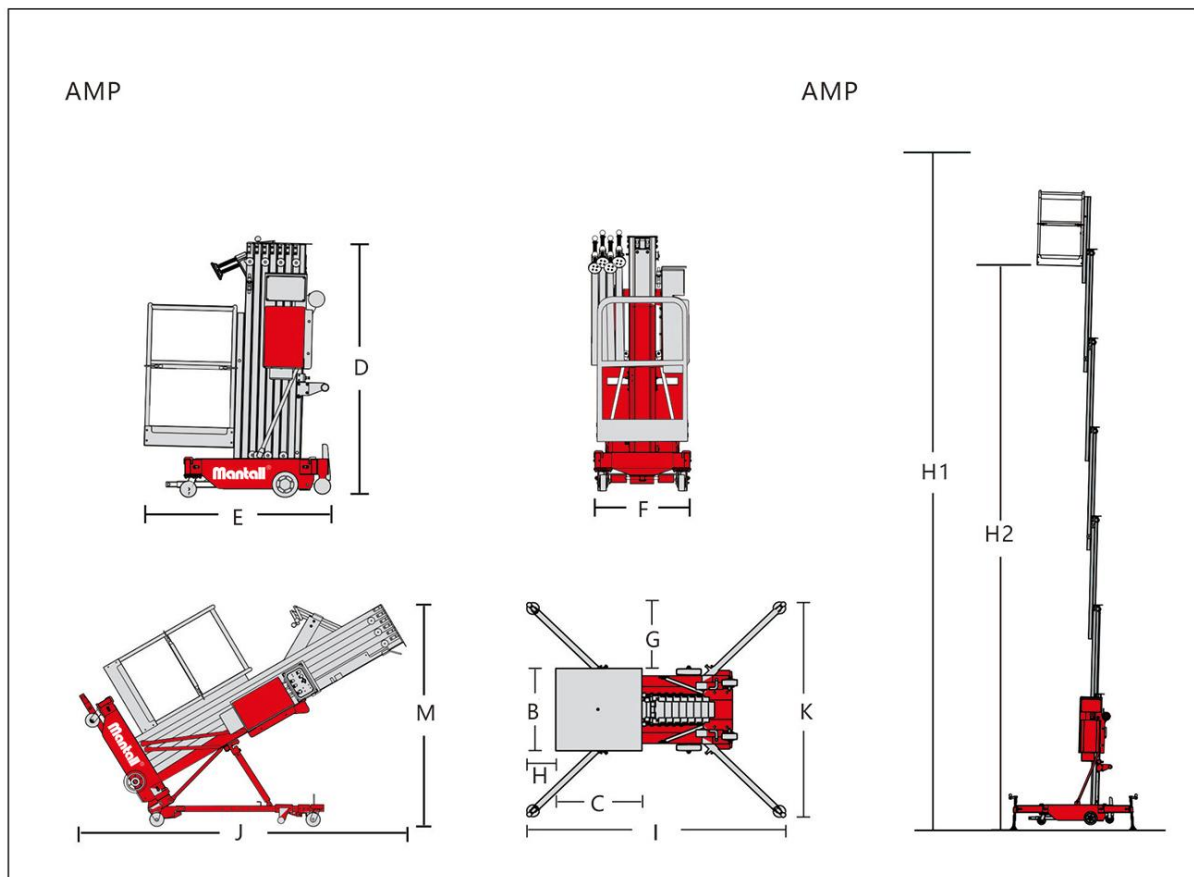
Options Features

Door type standard/ narrow platform	Tool box
Fiber glass platform	Top limit protection auto-stop device
DC power	Working Flashing Light
Staircase bracket	Equipment protection cover



AMP SERIES
AMP-40
PORTABLE TYPE AERIAL WORK PLATFORM

Model	AMP40	
Dimension	Metric	Imperial
Max. Working Height m H1	14m	45ft 11in
Max. Platform Height m H2	12m	39ft 4in
Lift capacity kg	120kg	264.55 lb
Basket size (B*C) m	0.69m×0.68m	2ft3in×2ft3in
Stowed size (E*F*D) m	1.46m×0.78m×2.76m	4ft10in×2ft7in×9ft1in
Height, tilted back (M) m	1.98m	6ft 6in
Length, tilted back (J) m	2.87m	9ft 5in
Outrigger footprint (I*K) m	2.27m×1.98m	7ft5in×6ft6in
Wall access front/side m H*G	0.42m/0.65m	17in/26in
Power (AC/DC)	220V/110V/12V	220V/110V/12V
Weight (AC/DC) kg	554kg/595kg	1221lb/1312lb



The images in this manual are for illustration only, and all copyrights belong to our company. Due to continuous technological updates, product parameters may change without prior notice.

